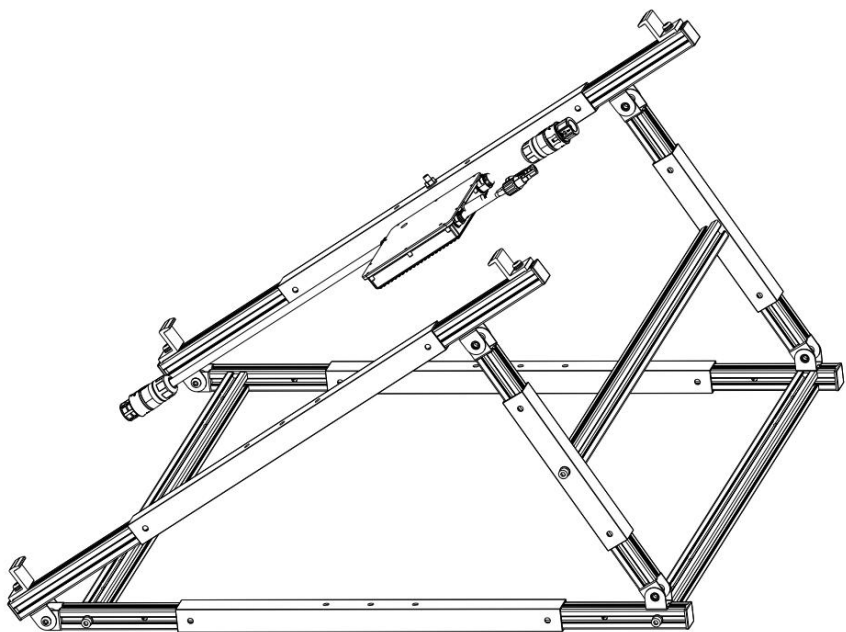




Quick Installation Guide

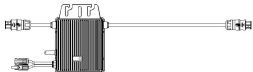


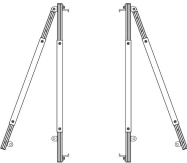



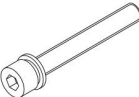
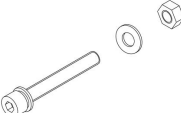


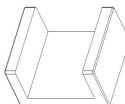
TSOL-ESK400-T

TSOL-ESK800-T



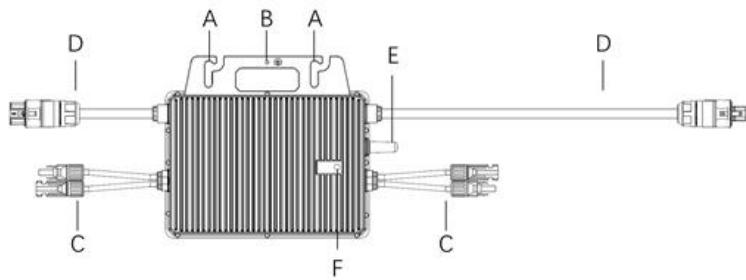
Before the Installation

Check the products and accessories: (When the microinverter is MS800, the number of other accessories * 2)

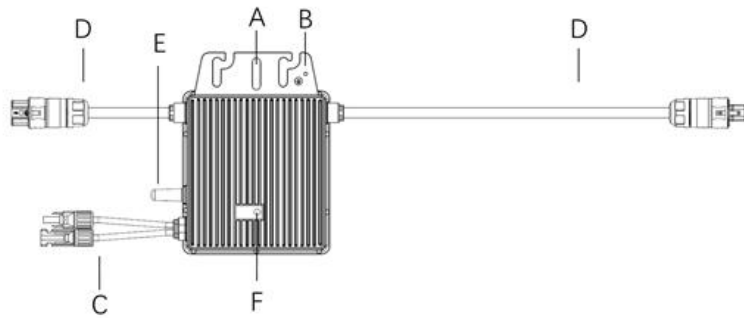
		
<p>① Microinverter * 1 pcs</p>	<p>② AC End Cable * 1 pcs</p>	<p>③ Protection Cap * 1 pcs</p>
		
<p>④ Bracket A1 * 1 pcs Bracket A2 * 1 pcs</p>	<p>⑤ Bracket B * 2 pcs</p>	<p>⑥ Bracket C1 * 1 pcs Bracket C2 * 2 pcs</p>
		
<p>⑦ M8*12 Screw * 8 pcs Spring Washer * 8 pcs</p>	<p>⑧ M8*50 Screw * 6 pcs</p>	<p>⑨ M8*60 Screw * 1 pcs Washer * 1 pcs Nut * 1 pcs</p>
		
<p>⑩ Clevis * 2 pcs</p>	<p>⑪ Wire Rope * 4 pcs</p>	<p>⑫ U blocks * 4 pcs</p>

Instructions for each part:

① Microinverter



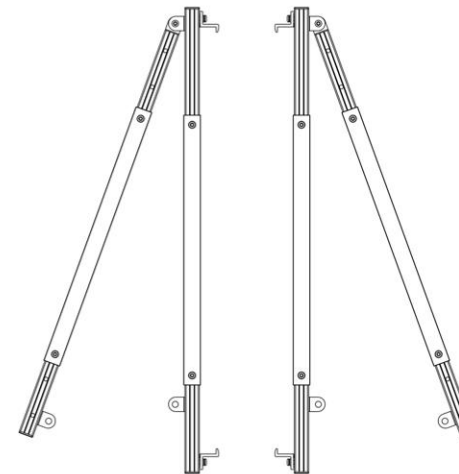
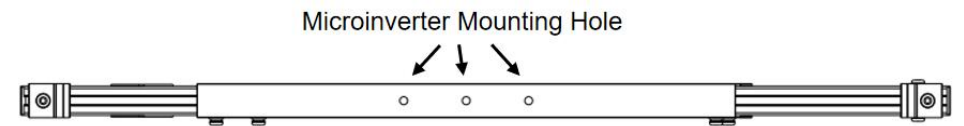
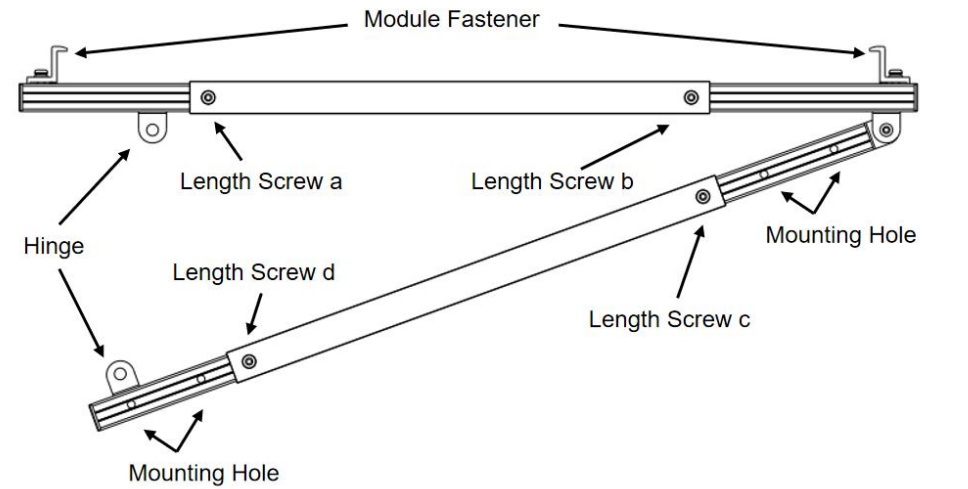
TSOL- MS800



TSOL- MS400

A	Befestigungslöcher	D	AC-Kabel
B	Erdungsloch	E	Die Antenne
C	DC Kabel	F	Statusleuchte

④ Bracket A1 / A2



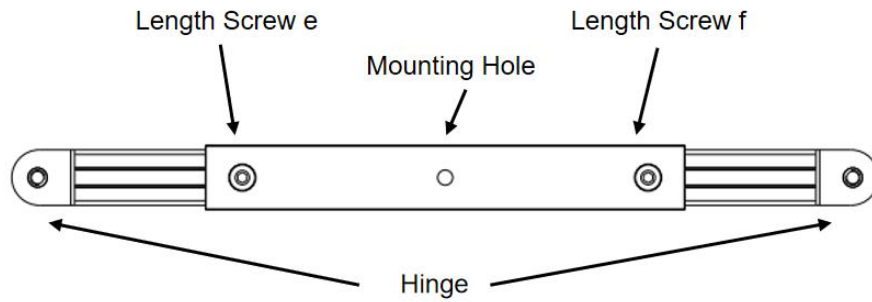
Bracket A2

Bracket A1

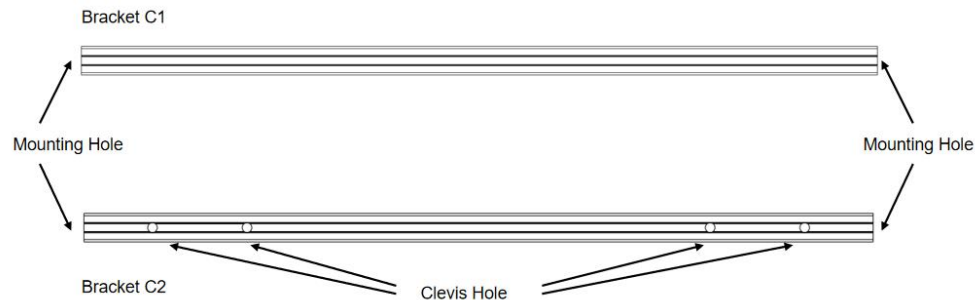
Tips: The length screws of bracket A1 are on the different side than the length screws of bracket A2.

The numbers of the length screws on the bracket A1 are the same as those on the bracket A2.

⑤ Bracket B



⑥ Bracket C1 / C2



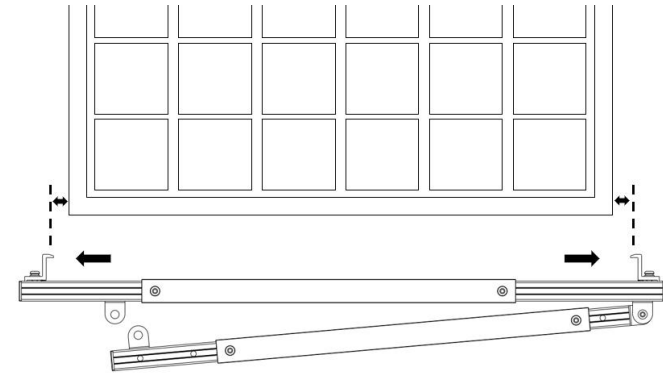
Tip: There are four clevis holes on the bracket C2.

Instructions of installation

Step 1: Adjust the length of Bracket A1 and A2

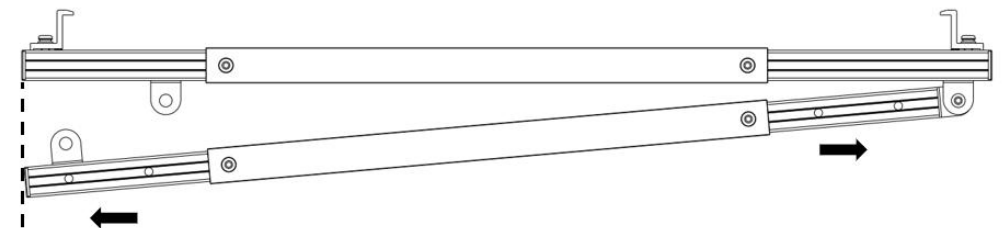
1) Take out the bracket A1 ④ and put it beside the solar module. Unscrew the

length screw a and b. Adjust the length and make the distance of two module fasteners longer than the solar module. Tighten the length screw a and b.



Tips: While unscrewing the length screw, DO NOT unscrew it excessively. This may cause the drop out of length screw and affect the next installations.

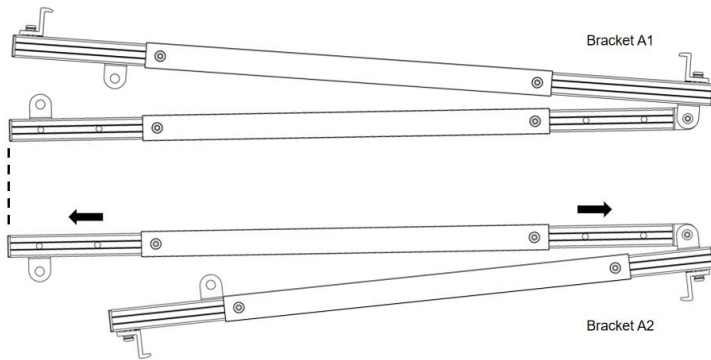
2) Unscrew the length screw c and d of bracket A1 ④. Adjust the length and make it the same length between the two parts of bracket A1. Then tighten the length screw c and d.



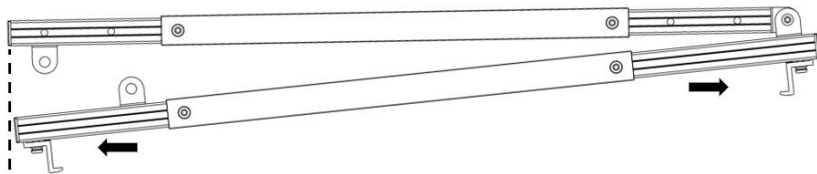
3) Take out the bracket A2 ④ and put it beside the bracket A1. Unscrew the

length screw c and d. Adjust the length and make it the same as the bracket A1.

Tighten the length screw c and d.

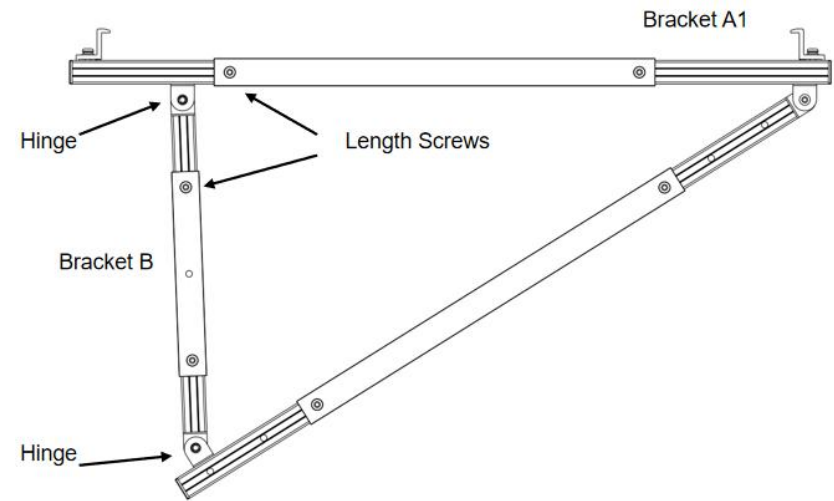


4) Unscrew the length screw a and b of bracket A2 ④. Adjust the length and make it the same length between the two parts of bracket A2. Then tighten the length screw a and b.



Step 2: Connect Bracket B to Bracket A1/A2

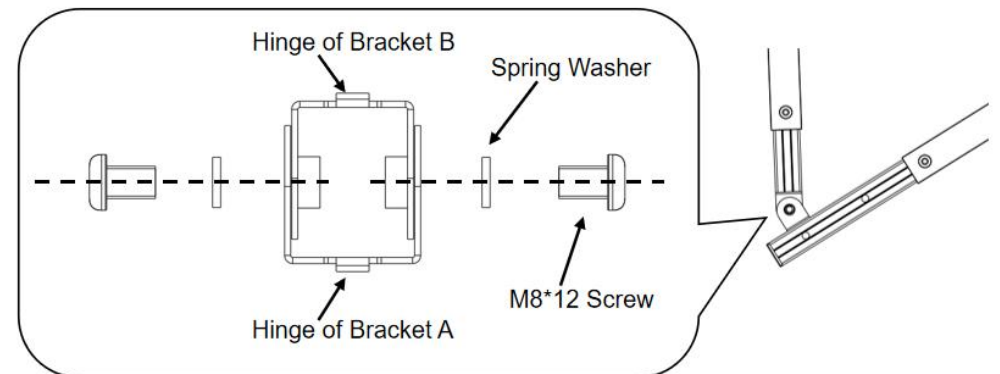
1) Take out Bracket B ⑤ and screw accessories ⑦, connect bracket B to bracket A1.



Tips: Make sure the length screws of bracket B are on the same side as the length screws of bracket A.

Tips: DO NOT adjust the length screw e and f in this step.

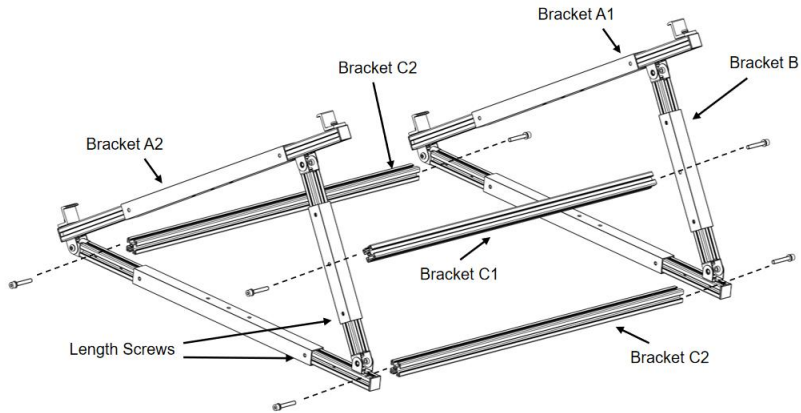
Use the M8*12 screws and spring washers to fix the hinges of bracket A1 and B.



2) Repeat the previous step with bracket A2 and B.

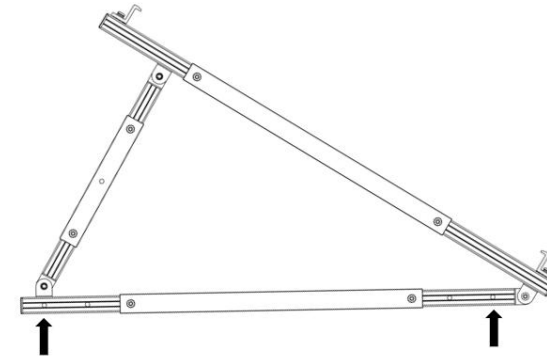
Step 3: Connect Bracket C1/C2 to Bracket A1/A2/B

Take out Bracket C1/C2 ⑥ and screws ⑧. Connect bracket C2 to bracket A1/A2 and connect Bracket C1 to bracket B.

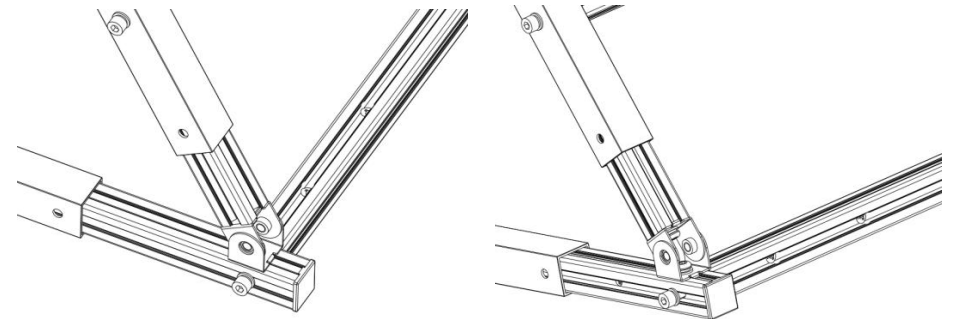


Tips: Make sure the length screws of bracket A1/A2 are facing the outside.

Tips: While connecting bracket C2 to bracket A1/A2, use the outside mounting holes as recommended.

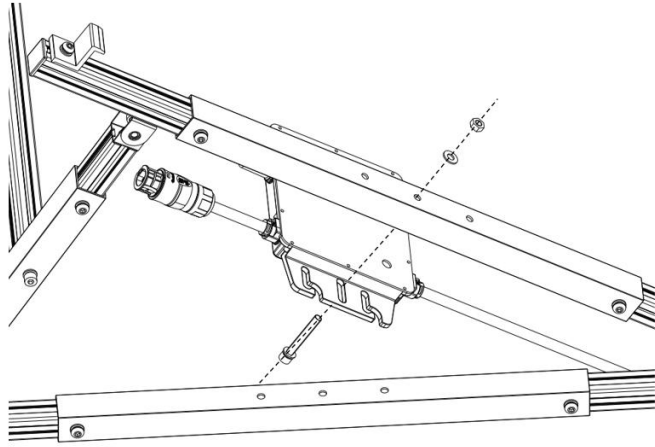


Tips: If this ESK-T is used on the flat ground or walls, make the mounting holes of bracket C2 in a vertical direction. If this ESK-T is used on the fences, make the mounting holes of bracket C2 in a horizontal direction.



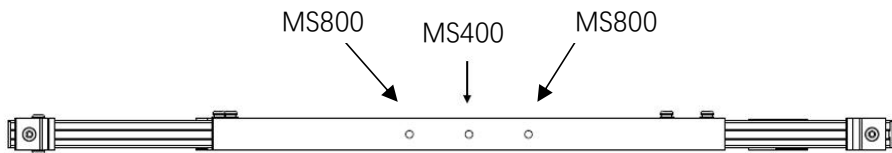
Step 4: Fix the microinverter to the bracket

1) Take out Microinverter ① and screw accessories ⑨, fix the microinverter to microinverter mounting hole of bracket A1.



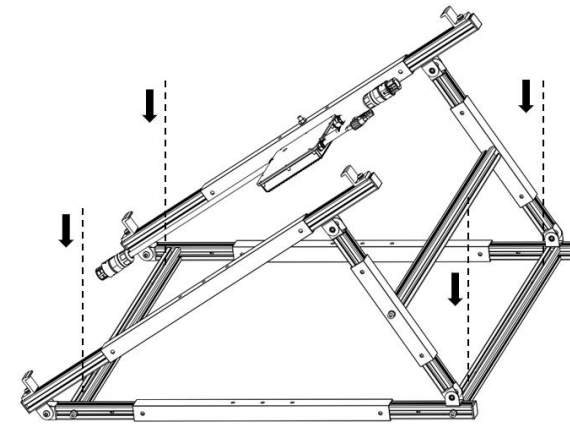
Tips: Make the light of microinverter and the screw in the downside direction.

Tips: There are three microinverter mounting holes on the bracket A1. The middle hole is used for MS400. Two side holes for MS800

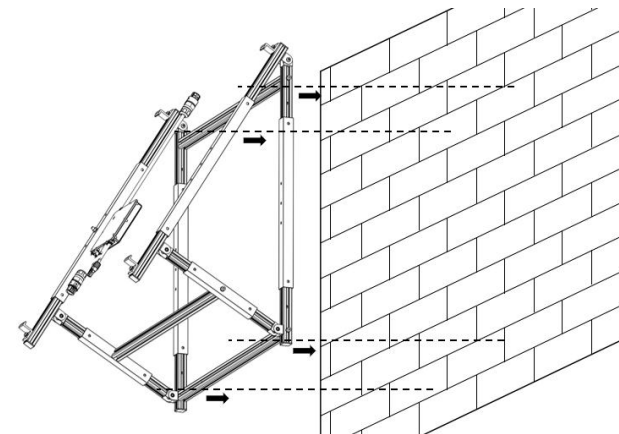


Step 5: Fix bracket to the right location

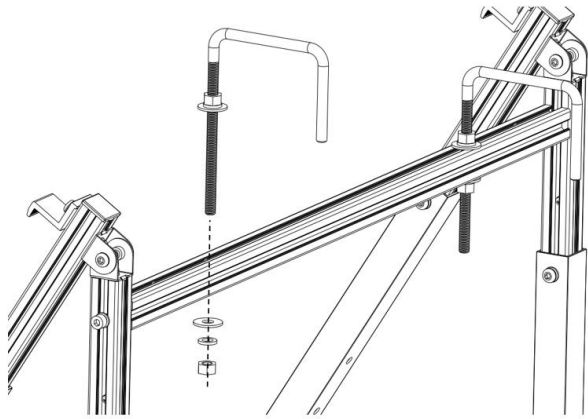
1) While install ESK-T on the flat ground, use ground nails to fix the bracket C2 or put weights (Brick, Stone, Sand bag etc.) on the bracket C2.



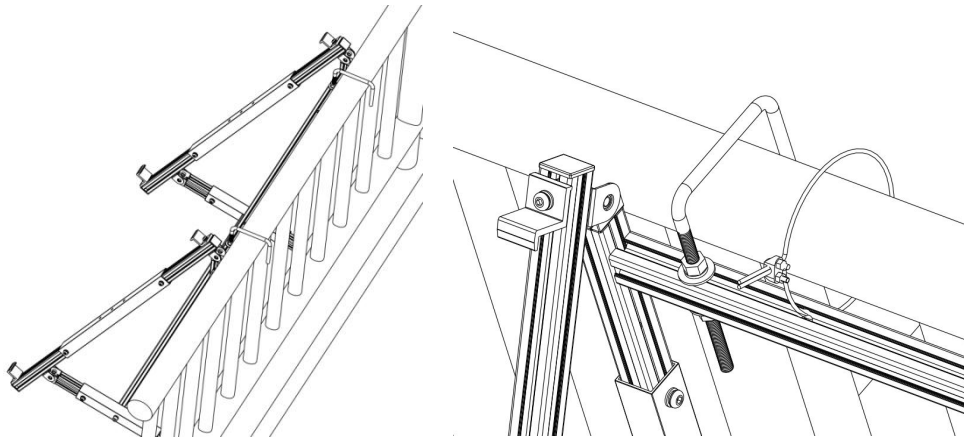
2) While install ESK-T on the wall, use expansion screws to fix the bracket C2 on the wall.



3) While install ESK-T on the fences, take out clevis ⑩ and install these two clevises on the bracket C2.



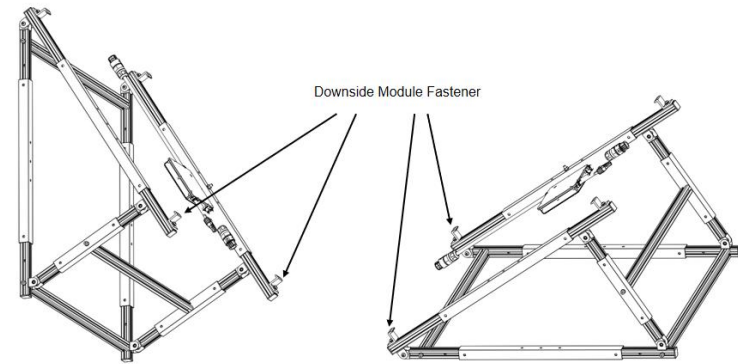
Hang the bracket on the fences. Using the wire rope to fix the bracket to the fences through the mounting holes.



Tips: If the ESK-T is hanged outside the balcony, solar module should be installed and connected first before fix the bracket on the fences. The installation sequence should be Step 6 → Step 7 → Step 8 → Step 5.

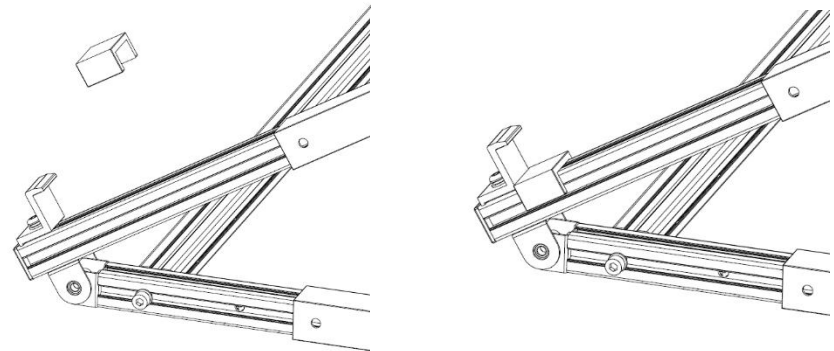
Step 6: Install the solar module

1) Unscrew two downside module fasteners on bracket A1 and A2.

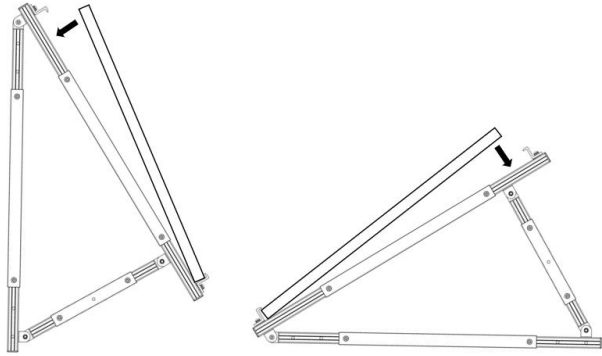


Tips: While unscrewing the module fastener, DO NOT unscrew it excessively. This may cause the drop out of module fastener and affect the next installations.

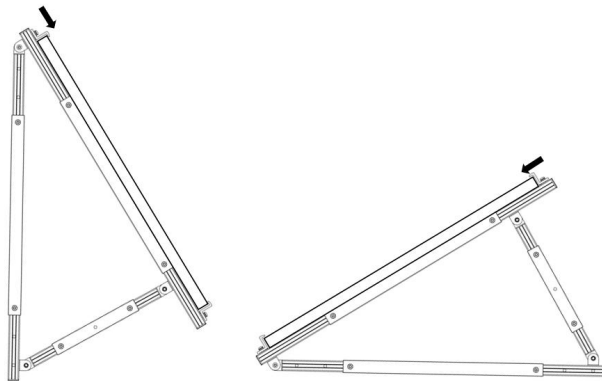
The module fastener is designed for 35mm frame. If a 30mm solar module is used, the four U blocks^⑫ must be used as shown below:



2) Put the solar module on the bracket.



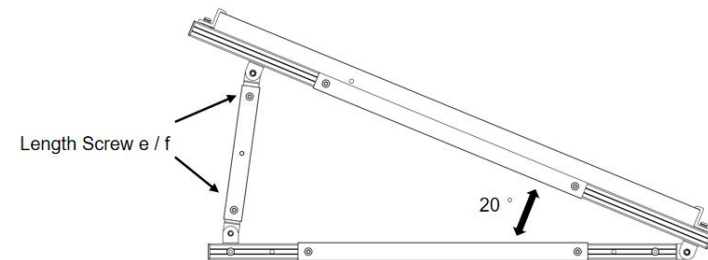
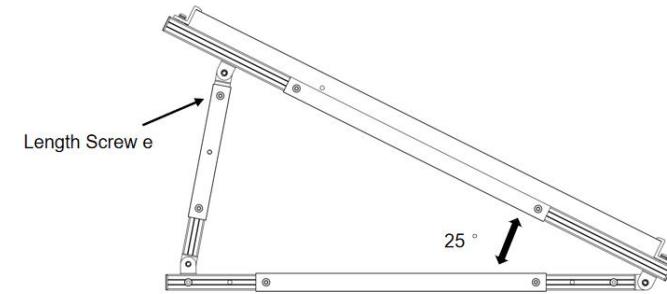
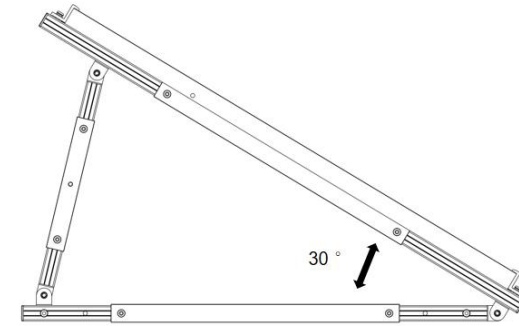
3) Unscrew the upside module fasteners and adjust their positions. Tighten the four module fasteners to fix the solar module on the bracket.



Step 7: Adjust the angle of the solar module

Unscrew the length screw e and f. Adjust the angle of solar module as needed.

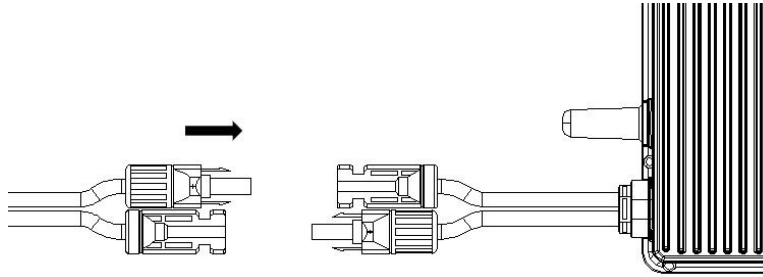
Tighten the length screws.



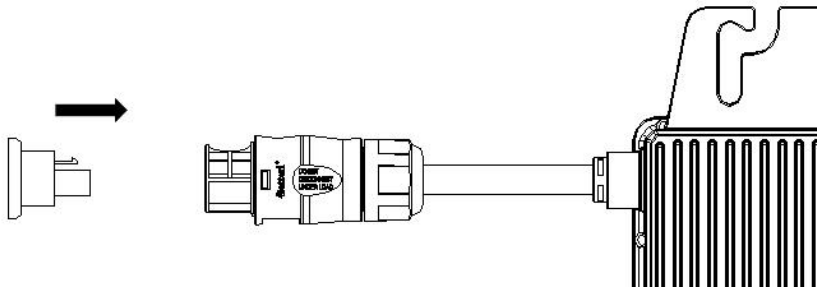
Tips: DO NOT adjust length screw e and f at the same time.

Step 8: Connect the Microinverter

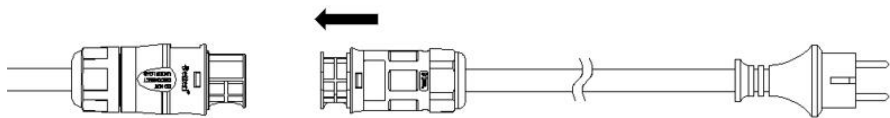
1) Connect the DC connector of the solar module to the microinverter.



2) Take out the protection cap ③ and connect it to the short AC cable of microinverter.

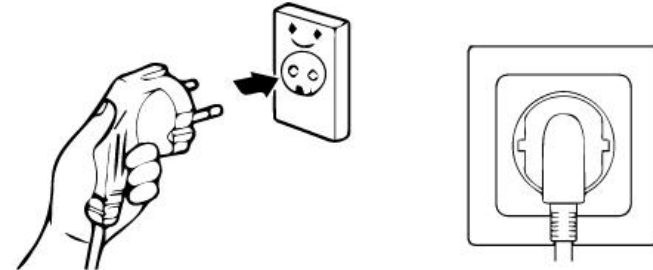


3) Take out the AC end cable and connect the AC connector to the long AC cable of microinverter.



Step 9: Start the system

Insert the AC plug to socket and the system will start producing power a few minutes later.



Step 10: Monitoring and other information explanation

After completing the installation, please use the Monitoring User Guide and Monitoring User Manual to download the monitoring platform and register your account.

For more detailed information, please scan the QR code to read.



EU Declaration
of Conformity
(DOC)



Full Manual
Microinverter